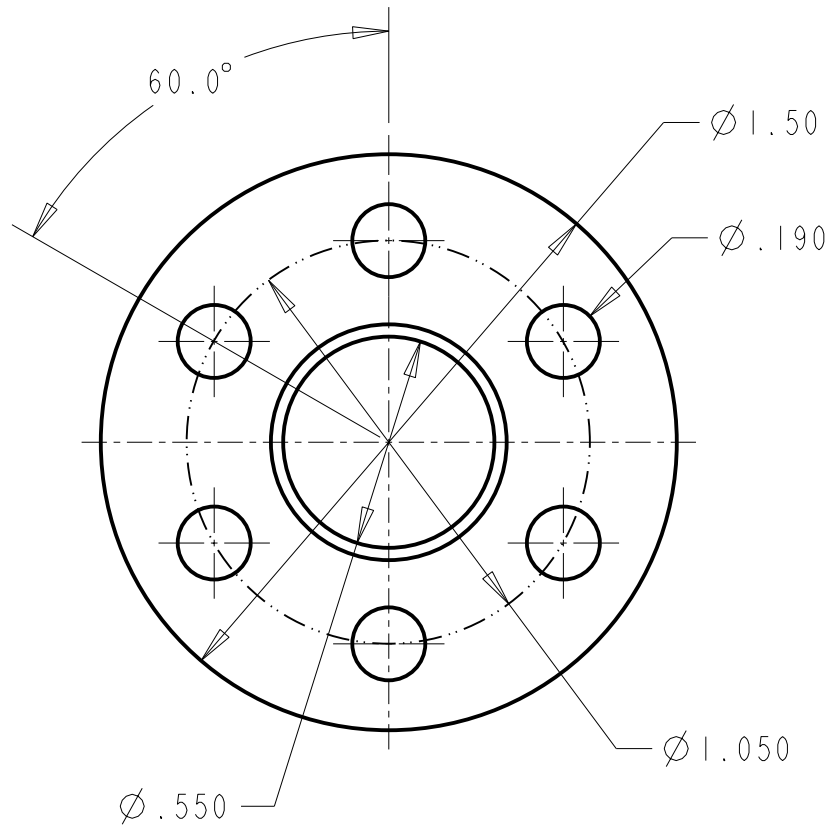


SECTION A-A
SCALE 2.000



Burst Disk Holder Cap - 1/2 Inch

A